



Professional CCTV Products

# Installation and Operating Instruction Manual

## INDOOR IR DOME CAMERA



ERN-R1247P  
ERN-R1247N

Thank you for your purchase of this product.

Before attempting to connect or operate this product, please read these instructions carefully.

Product specifications and its contents subject to change without any prior notice.

The picture is for reference, the object as the standard.

[www.eyerisdigital.com](http://www.eyerisdigital.com)

## **CONTENTS**

1. General Information
  - Safety Precaution
  - Package contents
2. Installation of Camera
  - Camera Connection
  - Installation of Camera
  - Tips for Camera Location
  - Dimension
3. Operation Guide
  - Menu structure
  - Function Description
4. Technical Specification
5. Troubleshooting
6. Cleaning and Care
7. Maintenance and Support

## 1. General Information

### ► Safety Precaution

1. Read these instructions carefully before commissioning the camera in order to avoid damages caused by improper installation or use.
2. Do not harm the camera and avoid striking, shaking, etc. The camera could be damaged by improper handling or storage.
3. Use a dry cloth to clean the camera dome cover when dirty. When the dirt is hard to remove, use a mild detergent and wipe gently. Then wipe off the remaining detergent with a dry cloth.
4. Do not aim the camera at bright objects. Whether the camera is in use or not, never aim it at the sun or other extremely bright objects. Otherwise, blooming or smears may be caused.
5. In case of outdoor use, you have to install the camera in a suitable weather protection case incl. heating element.
6. Operate the camera with the designated voltage only.
7. Use the camera at temperatures within -10 C to +50 C and humidity below 90%.

### ► Package Contents

1. Indoor Color Dome Camera
2. Operating Instructions
3. Mounting Template Sticker

#### **Caution**

**To Reduce the risk of electric shock, do not remove cover. No user serviceable parts inside. Refer servicing to qualified service personnel.**

## 2. Installation of Camera

### ► Camera Connections

#### 12V DC Power Supply

Use standard 12V DC output power supply with 2.1mm standard DC power female pin. Before connect power check power supply polarity (+ and -).



#### Video Output Connection

Use standard 75W Male BNC pin terminate with Co-axial video cable then connect to camera video out BNC Female pin.

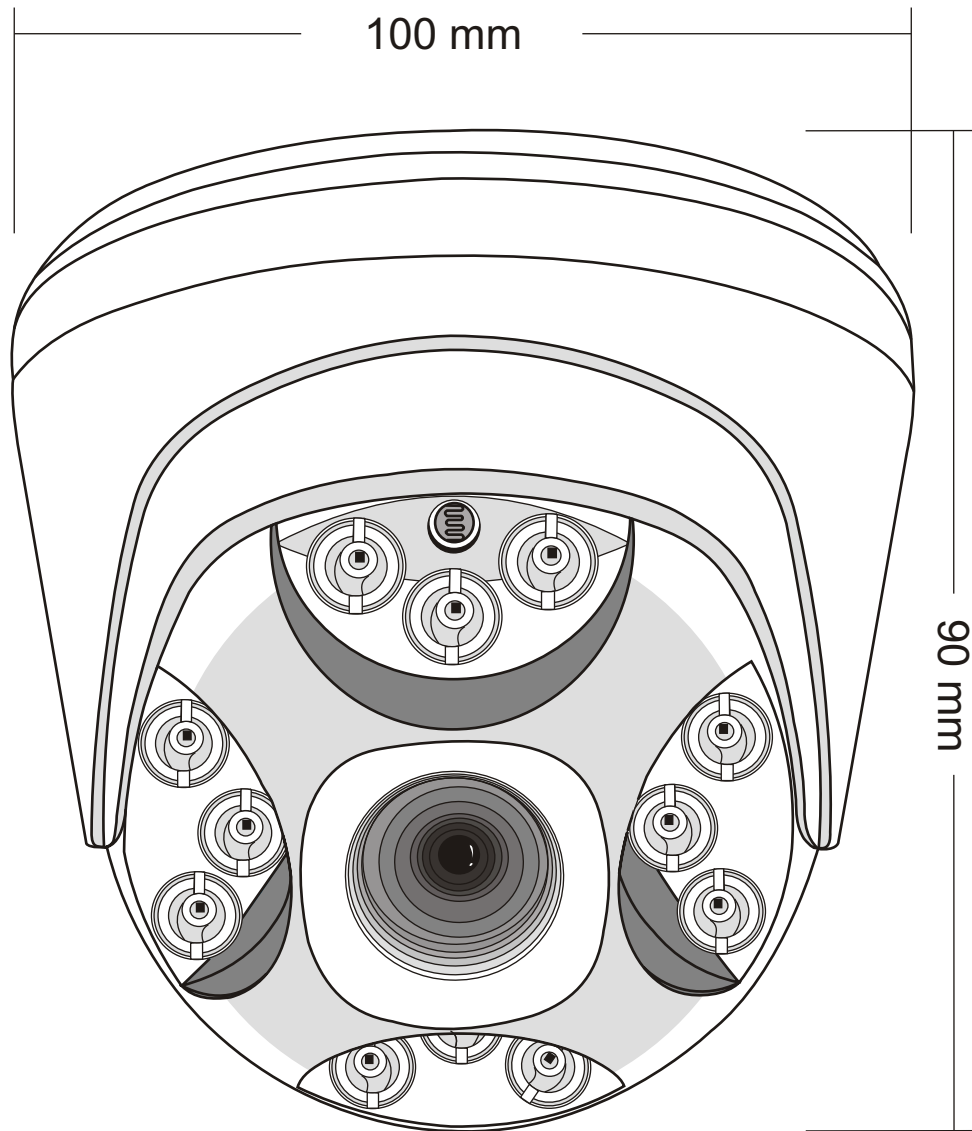
### ► Installation of Camera

Mounting Template Sticker: The mentioned technical drawing is for reference only. Actual size of Mounting Template Sticker is matched with Dome Base. Stick Mounting Template Sticker supplied for drilling the mounting hole on the mounting surface.

### ► Tips for Camera Location

1. Never expose the camera to direct sunlight without additional camera housing. Keep sufficient distance to direct heat sources.
2. Never install the camera at humid, oily or dusty locations without using an additional housing. (Without additional housing the camera is not suitable for outdoor use)
3. Do not aim the camera towards indoor lighting, the windows, the sunlight or the sky. (To get good pictures, camera and light should be aimed towards the object)
4. Avoid peak light as background (Also caused by reflection)

► Dimension



#### 4. Technical Specification ERN-R1247N / ERN-R1247P

Model Number	ERN-R1247N	ERN-R1247P
<b>Video</b>		
Signal System	NTSC	PAL
CCD	1/3" SONY Super HAD II CCD	
Lens	3.6mm M12 lens	
Effective Pixel	512 x 492	500 x 582
Horizontal Resolution	Color 470 TVL	
Min Illumination@ Day	0.5 Lux at Day(Cut Off)	
Min Illumination@ Night	0 Lux At Night(IR LED On)	
Scanning Frequency (H)	15.734KHz	15.625KHz
Scanning Frequency (V)	59.94KHz	50Hz
Gamma	0.45 Adjustable	
S/N Ratio	More than 48 db	
Video Output	1V p-p, 75W	
Sync System	2:1 Internal	
<b>Operational</b>		
Exposure Mode	Auto	
AGC	Auto	
BLC	Off	
Day/Night Mode	Auto	
White Balance	Auto	
<b>Night Vision</b>		
IR LED	12 IR LED, 0.8mm Ø	
IR Distance	20 Meter	
<b>Electrical</b>		
Power Supply	12V DC Standard ±10%	
Current Consumption	160mA	
<b>Environmental</b>		
Operating Temperature	-10°C ~ 50°C	
Humidity	95%	
<b>Dimensional</b>		
Housing	3 Axis 4" Plastic Dome	
Weight	180g	
Dimension	Ø100* H 92 mm	

## 6. Cleaning and Care

- Before you start to clean the camera body, disconnect the unit from power supply.
- For reasons of electrical safety never clean the camera with water or other liquid matters and never put the camera under water.
- To clean use a soft dry cloth. Cleaning the camera inside is strictly forbidden and may only be done by your authorized dealer.
- Since all camera functions are self adjusting and the camera does not contain any parts or components that are subject to wear. We advice you not to open the camera (except for the flap for settings), unless the camera appears to be defective.

## 7. Maintenance and Support

### 1. How to request after-sale service?

When ever you want to send repairing material back to us kindly use the same Channel where u purchased the material must with Return Material Authorization (RMA) Form download from our website.

<http://www.eyerisdigital.com/RMA%20Form.pdf>

### 2. Following cases should be paid even within the warranty period.

A)When defects are caused by the careless handling of the user.

B)When improper or unauthorized repairs are done or when the inside is modified or damaged.

C)Defects caused by natural disaster or power problem.

**Technical Support:** For any type of product operating, Function, Installation related queries or want to know more about our product details specification or function, contact our website or E-mail to us.

<http://www.eyerisdigital.com/support.html>

**[www.eyerisdigital.com](http://www.eyerisdigital.com)**