



Professional CCTV Products

# Installation and Operating Instruction Manual

## TRUE WDR C/CS(BOX) MOUNT CAMERA



ERB-LW1965N  
ERB-LW1965P

Thank you for your purchase of this product.

Before attempting to connect or operate this product, please read these instructions completely.

Product specifications and its contents subject to change without any prior notice.

The picture is for reference, the object as the standard.

[www.eyerisdigital.com](http://www.eyerisdigital.com)

## **CONTENTS**

1. General Information
  - Safety Precaution
  - Package contents
  
2. Installation of Camera
  - Camera Connection
  - Installation of Camera
  - Tips for Camera Location
  - Dimension
  
3. Operation Guide
  - Menu structure
  - Function Description
  
4. Technical Specification
  
5. Troubleshooting
  
6. Cleaning and Care
  
7. Maintenance and Support

## **1.General Information**

### **► Safety Precaution**

- 1.Read these instructions carefully before commissioning the camera in order to avoid damages caused by improper installation or use.
- 2.Do not abuse the camera. Avoid striking, shaking, etc. The camera could be damaged by improper handling or storage.
- 3.Use a dry cloth to clean the camera lens glass when dirty. When the dirt is hard to remove, use a mild detergent and wipe gently. Then wipe off the remaining detergent with a dry cloth.
- 4.Do not aim the camera at bright objects. Whether the camera is in use or not, never aim it at the sun or other extremely bright objects. Otherwise, blooming or smears may be caused.
- 5.In case of outdoor use, you have to install the camera in a suitable weather protection case incl. heating element.
- 6.Operate the camera with the designated voltage only.
- 7.Use the camera at temperatures within -10 C to +50 C and humidity below 90%.

### **► Package Contents**

- 1.True WDR C/CS(Box) Mount Camera
- 2.Operating Instructions
- 3.Mounting Template Sticker

#### **Caution**

**To Reduce the risk of electric shock, do not remove cover. No user serviceable parts inside. Refer servicing to qualified service personnel.**

## **2.Installation of Camera**

### **► Camera Connections**

#### **12V DC Power Supply**

Use standard 12V DC output power supply. Connect 12V DC supply to 2-pin power terminal block. Check power supply polarity (+ and -).

#### **Video Output Connection**

Use standard 75Ω Male BNC pin terminate with Co-axial video cable then connect to camera video out BNC Female pin.

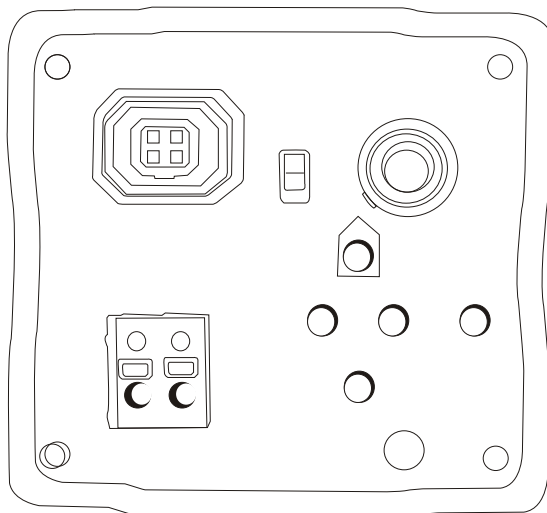
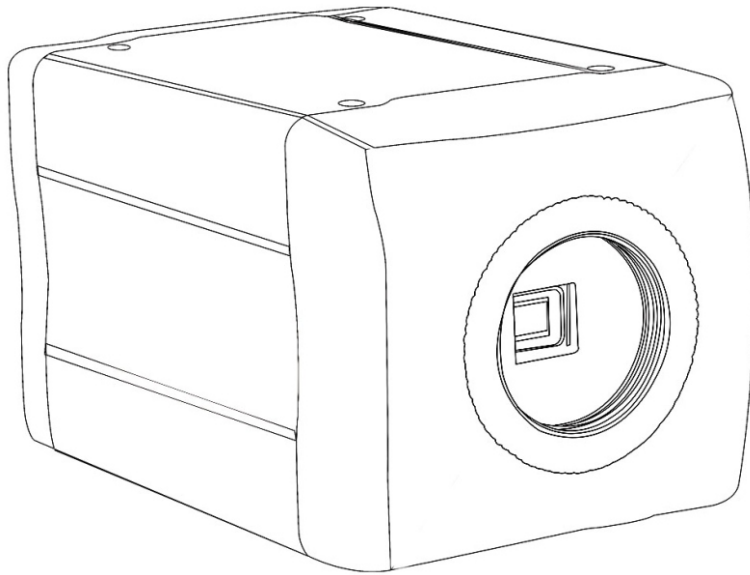
### **► Installation of Camera**

Mounting Template Sticker: The mentioned technical drawing is for reference only. Actual size of Mounting Template Sticker is matched with Dome Base. Stick Mounting Template Sticker supplied for drilling the mounting hole on the mounting surface.

### **► Tips for Camera Location**

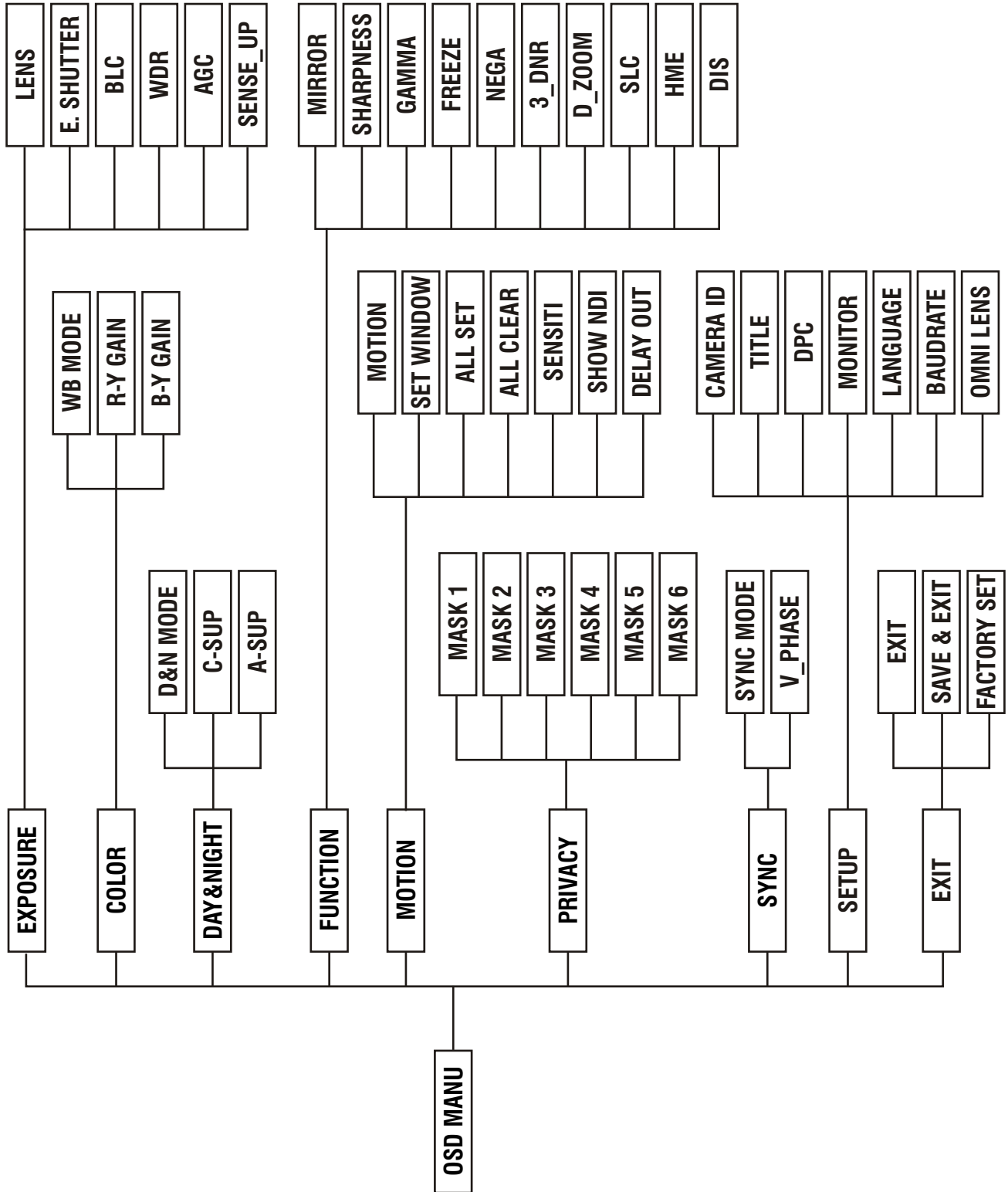
1. Never expose the camera to direct sunlight without additional camera housing. Keep sufficient distance to direct heat sources.
2. Never install the camera at humid, oily or dusty locations without using an additional housing. (Without additional housing the camera is not suitable for outdoor use)
3. Do not aim the camera towards indoor lighting, the windows, the sunlight or the sky. (To get good pictures, camera and light should be aimed towards the object)
4. Avoid peak light as background (Also caused by reflection)

► Dimension



### 3. Operation Guide :

#### ▶ Menu Structure



## ► Function Description

### 1 Exposure:

<b>Lens</b>	: 2 mode DC and Manual with set brightness level from 0 to 100.
Shutter	: 4 Mode - FLK, Fixed, Manual and Auto 1/100 or 1/120 @ FLK 1/50, 1/250, 1/500, 1/1000, 1/2000, 1/4000, 1/10000, 1/100000 @ Fixed
BLC (Back Light Compensation)	: OFF/ ON with adjust in 5 zone
WDR (Wide Dynamic Range)	: OFF/ ON with adjust level range from 0 ~ 10
AGC (Auto Gain Control)	: 4 level High, Middle, Low, OFF
SENS UP	: OFF/ Auto, adjust with range of X2 ~ X256

### 2. Color :

W/B Mode	: ATW, AWC, Manual
R-Y Gain	: Can be set level from 0 ~ 255.
B-Y Gain	: Can be set level from 0 ~ 255.

### 3. Day Night :

D & N Mode	: 3 level Auto, Color, B/W
C_SUP (Color Suppression)	: Can be set level from 0 ~ 15
A_SUP (Aperture Suppression)	: Can be set level from 0 ~ 15

This two above function is used under low light condition. Using these functions you can get image without noise.

### 4. Function :

Mirror	: 4 Mode OFF, Mirror, V-Flip, Rotate
Sharpness	: Can be set level from 0 ~ 15
Gamma	: 3 Level 0.45, 0.6, 1
Freeze	: ON/OFF
Negative Image	: ON/OFF
D-Zoom	: OFF/ON with adjust with X1.0 to X3.0
3- DNR	: four level Off, Low, Middle, High
SLC (Side Light Compensation)	: Can be set level from 0 ~ 50
HME	: Can be set level from 0 ~ 50
DIS (Digital Image Stabilizer)	: ON/OFF

- 5.Motion** : OFF/ON with 16 X 15 selectable zone with sensitivity level from 0 ~99
- 6.Privacy Masking** : OFF/ON with 6 selectable zone
- 7.Sync** : 2 mode Inter, Auto
- 8.Setup:**
- Camera ID : Can be set range from 0 ~ 255
  - Title Edit : A ~ Z, 0 ~ 9, can set position also
  - Monitor : 2 mode CRT, LCD
  - DPC SET (Dead Pixel Cancellation): Can be set white and black level. This function is used for takes off the dead pixel
  - Baud rate : can be set diff baud rate like 2400, 4800, 9600, 14400, 19200
- 9 Exit**

## 4. Technical Specification

Model Number	ERB-LW1965N	ERB-LW1965P
<b>Video</b>		
Signal System	NTSC	PAL
CCD	1/3" SONY Super HAD II Double Scan CCD	
Lens	C/CS Mount Lens	
Effective Pixel	768 x 494	752 x 582
Horizontal Resolution	650 TVL	
Min Illumination@ Day	0.8Lux	
Min Illumination@ Night	0.08 Lux / 0.001@Sens-up	
Scanning Frequency (H)	15.734KHz	15.625KHz
Scanning Frequency (V)	59.94KHz	50Hz
Gamma	0.45 Adjustable	
S/N Ratio	More than 48db	
Video Output	1V p-p, 75Ω	
Sync System	2:1 Internal	
<b>Operational</b>		
Lens	DC IRIS / Manual	
Exposure Mode	Auto/Manual/FLK	
Shutter Speed	AUTO FLK 1/120 Fixed 1/60~1/100,000sec	AUTO FLK 1/100 Fixed 1/50~1/100,000sec
AGC	ON/OFF	
BLC	ON/OFF	
WDR	ON/OFF	
SENS-UP	2,4,8,16,32,64,128,256	
3-DNR	High/Middle/Low/OFF	
Freeze	ON/OFF	
Day/Night Mode	Auto/Color/B/W	
Mirror	OFF/Mirror/V-Flip/Rotate	
Motion Detection	On /Off, Supports up to 16*15 Zone	
Privacy Masking	On /Off, Supports up to 6 Zone	
Digital Image Stabilizer	ON/OFF	
Digital Zoom	3X	
HME	ON/OFF	

SLC	ON/OFF
Monitor Option	CRT/LCD
Color Control	Contrast, Sharpness, Hue, saturation
Camera Name	Yes, A to Z, 0 to 9, & etc
White Balance	ATW / AWB / MANUAI / FIXED
<b>Electrical</b>	
Power Supply	12V DC
Current Consumption	150mA
<b>Environmental</b>	
Operating Temperature	-10°C ~ 50°C
Humidity	95%
<b>Dimensional</b>	
Housing	Standard Size Box Camera
Weight	530g
Dimension	100(L) x 60(H) x 60(W) mm

## 5. Troubleshooting

Error	Cause
No Picture	Check supply voltage, check power cable and video cable
The picture is noisy	Insufficient light (Properly adjusted to the camera)
The picture is too bright	Too much peak light, change camera location or active back light function of the camera
The picture is not sharp	Lens focus not adjusted properly
The picture is distorted	Different GND potentials between camera and monitor (Bad connection)
Ghost Image	Wrong 75 termination, shield of video cable interrupted.

## 6. Cleaning and Care

- Before you start to clean the camera body, disconnect the unit from power supply.
- For reasons of electrical safety never clean the camera with water or other liquid matters and never put the camera under water.
- To clean use a soft dry cloth. Cleaning the camera inside is strictly forbidden and may only be done by your authorized dealer.
- Since all camera functions are self adjusting and the camera does not contain any parts or components that are subject to wear. We advice you not to open the camera (except for the flap for settings), unless the camera appears to be defective.

## 7.Maintenance and Support

### 1.How to request after-sale service?

When ever you want to send repairing material back to us kindly use the same Channel where u purchased the material must with Return Material Authorization (RMA) Form download from our website.

<http://www.eyerisdigital.com/RMA%20Form.pdf>

### 2.Following cases should be paid even within the warranty period.

- A)When defects are caused by the careless handling of the user.
- B)When improper or unauthorized repairs are done or when the inside is modified or damaged.
- C)Defects caused by natural disaster or power problem.

**Technical Support:** For any type of product operating, Function, Installation related queries or want to know more about our product details specification or function, contact our website or E-mail to us.

<http://www.eyerisdigital.com/support.html>

**[www.eyerisdigital.com](http://www.eyerisdigital.com)**