



ERN-R1247P / ERN-R1247N

Product Features

- 1/3" Sony Super HAD II CCD
- 470 TVL Standard Resolution
- 3.6mm Lens
- 12 IR LED, Supports upto 20 meter
- Easy for installation, Nice streamline design.

Technical Specification

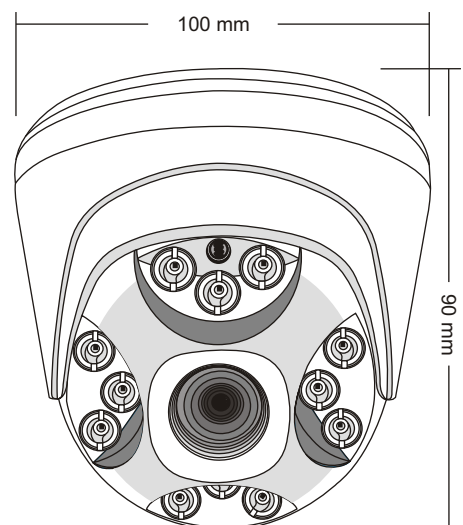
Video	ERN-R1247N	ERN-R1247P
Signal System	NTSC	PAL
CCD	1/3" SONY Super HAD II CCD	
Lens	3.6mm M12 lens	
Effective Pixel	510 X 494	500 X 582
Horizontal Resolution	Color 470TVL	
Scanning Frequency (H)	15.734KHz	15.625KHz
Scanning Frequency (V)	60KHz	50Hz
Minimum Illumination @ Day	0.5 Lux at Day(Cut Off)	
Minimum Illumination @ Night	0 Lux At Night(IR LED On)	
Gamma	0.45	
S/N Ratio	more than 48dB	
Video Output	1.0 Vp-p Composite Video Output, 75W	

NightVision	
IR LED	12 IR LED, 0.8mm Ø
IR Distance	20 Meter

Electrical	
Power Supply	12V DC Standard ±10%
Current Use	<300 mA

Operational	
AGC	Auto
BLC	OFF
Day/Night Mode	Auto
Exposure Mode	Auto
White Balance	ATW

Dimension



Note : Product Specifications and Its Contents Subject to change without any prior notice.